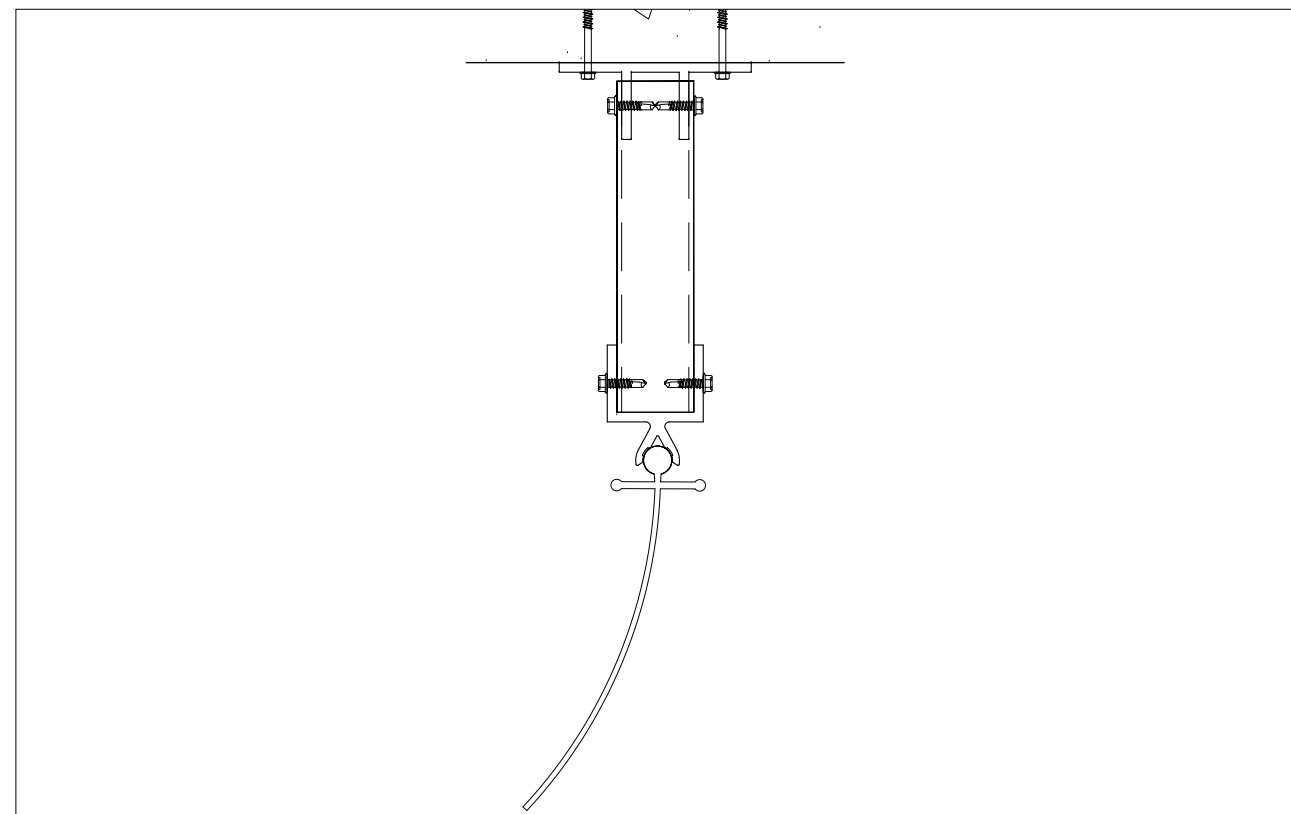
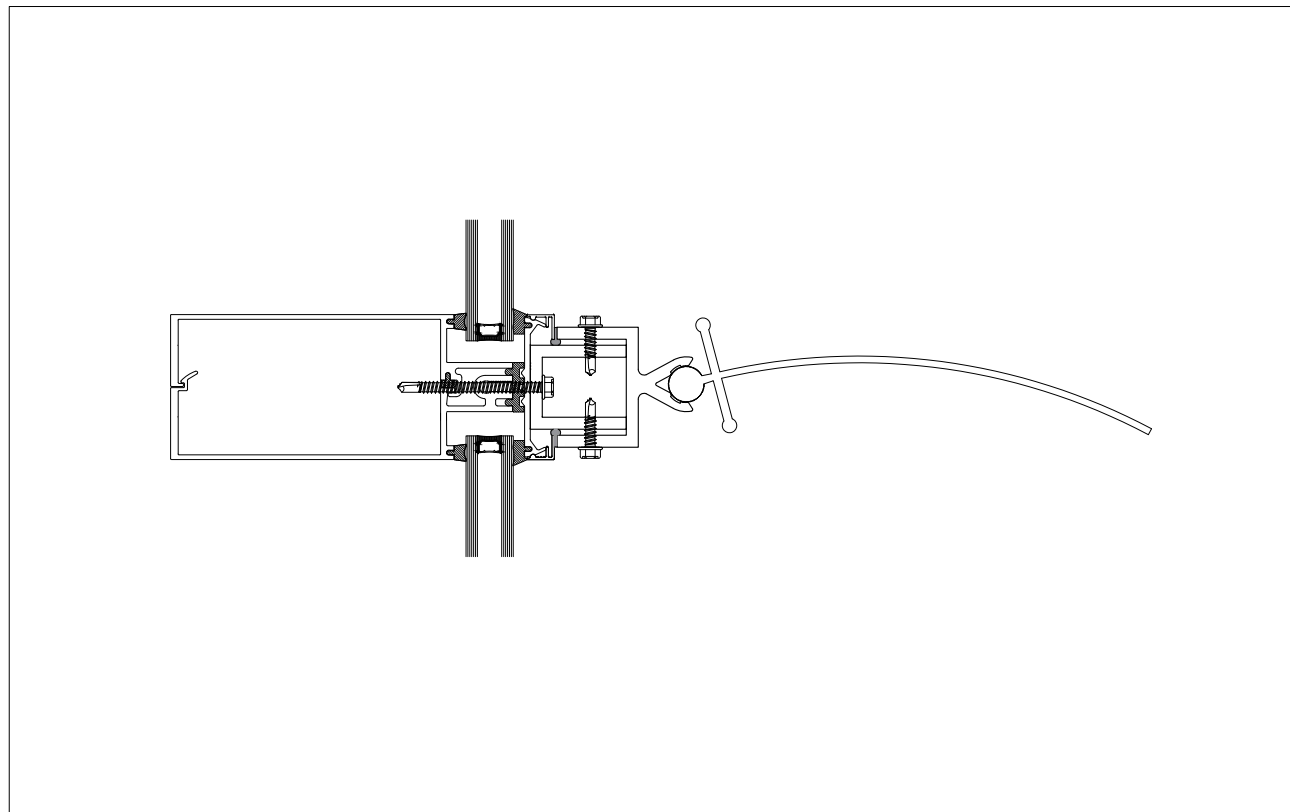


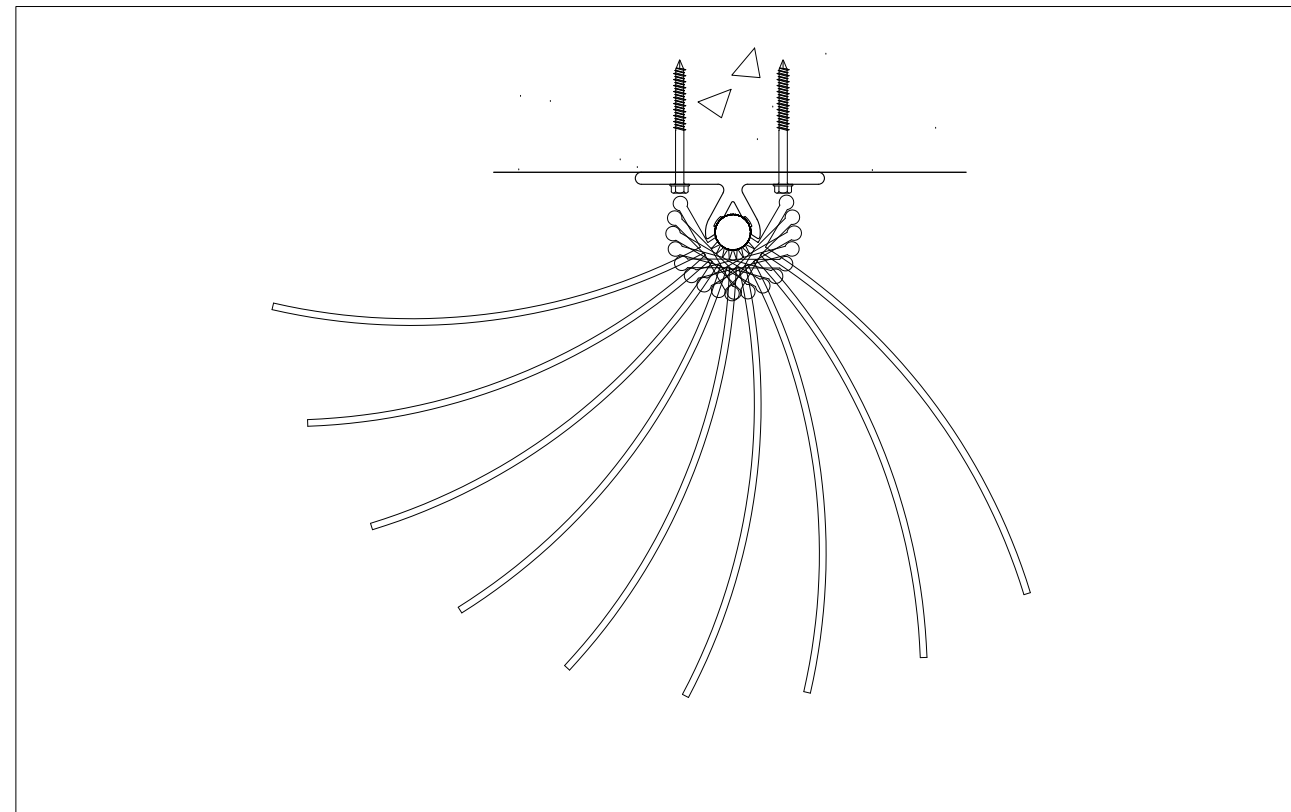
1 TYPICAL VERTICAL APPLICATION



2 EXTENDED VERTICAL APPLICATION



3 HORIZONTAL APPLICATION



4 VARYING ANGLES

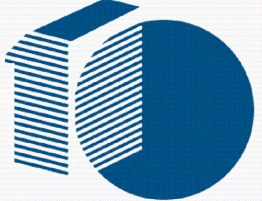
SPECIFICATION:

TEN PLUS MODEL FS10 - EXTRUDED ALUMINUM FIN. PROFILES TO BE MIN. 3.5 mm (0.140") 6063-T5 ALUMINUM ALLOY.
UNLESS OTHERWISE SPECIFIED, ALL STRUCTURAL ELEMENTS TO BE DESIGNED FOR A LIVE LOAD OF 1.5 kPa (30 Lbs. PER SQ FOOT).

FINISH:

- THREE COAT 70% PVDF RESIN TO AAMA 2605 STD.
- TWO COAT 70% PVDF RESIN TO AAMA 2605 STD.
- ONE COAT THERMOSETTING RESIN TO AAMA 2603 STD.
- COLOR ANODIC
- CLEAR ANODIZED
- CLASS I
- CLASS II

revisions:	
issued for client review	2024-00-00



TENPLUS
ARCHITECTURAL PRODUCTS LTD.
5-2333 MILLRACE COURT
MISSISSAUGA, ON L5N 1W2
TEL: 905-363-2306
FAX: 905-363-2309
WWW.TENPLUS-ONLINE.COM

PROJECT:

SPEC. SECTION:

CUSTOMER:

ARCHITECT:

TEN PLUS CONTACT:

DRAWN BY: SCALE:
AS NOTED

CHECKED BY:

DRAWING:
MODEL FS10 FIN

JOB No.

DWG No.