

BLADES TYPES

TYPE L6
LOUVER BLADE



TYPE A4
4" (100) AIRFOIL BLADE



TYPE A6
6" (150) AIRFOIL BLADE



TYPE A8
8" (200) AIRFOIL BLADE



TYPE C2
2 1/2" (65) ROUND BLADE



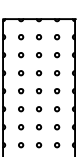
TYPE R4
4" (100) RECTANGULAR BLADE



TYPE R6
6" (150) RECTANGULAR BLADE



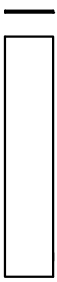
TYPE P1
PERFORATED BLADE / SHADE



TYPE 100
ROUNDED FACE OUTRIGGER



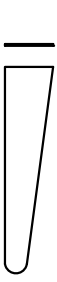
TYPE 200
STRAIGHT FACE OUTRIGGER



TYPE 300
CHANNEL OUTRIGGER



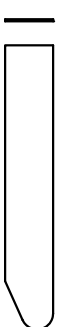
TYPE 400
TAPERED OUTRIGGER



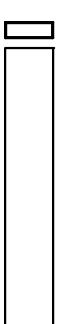
TYPE 500
CURVED OUTRIGGER



TYPE 600
BLUNT FACE OUTRIGGER



TYPE 700
RECTANGULAR TUBE OUTRIGGER



TYPE 800
CUSTOM CUT OUTRIGGER

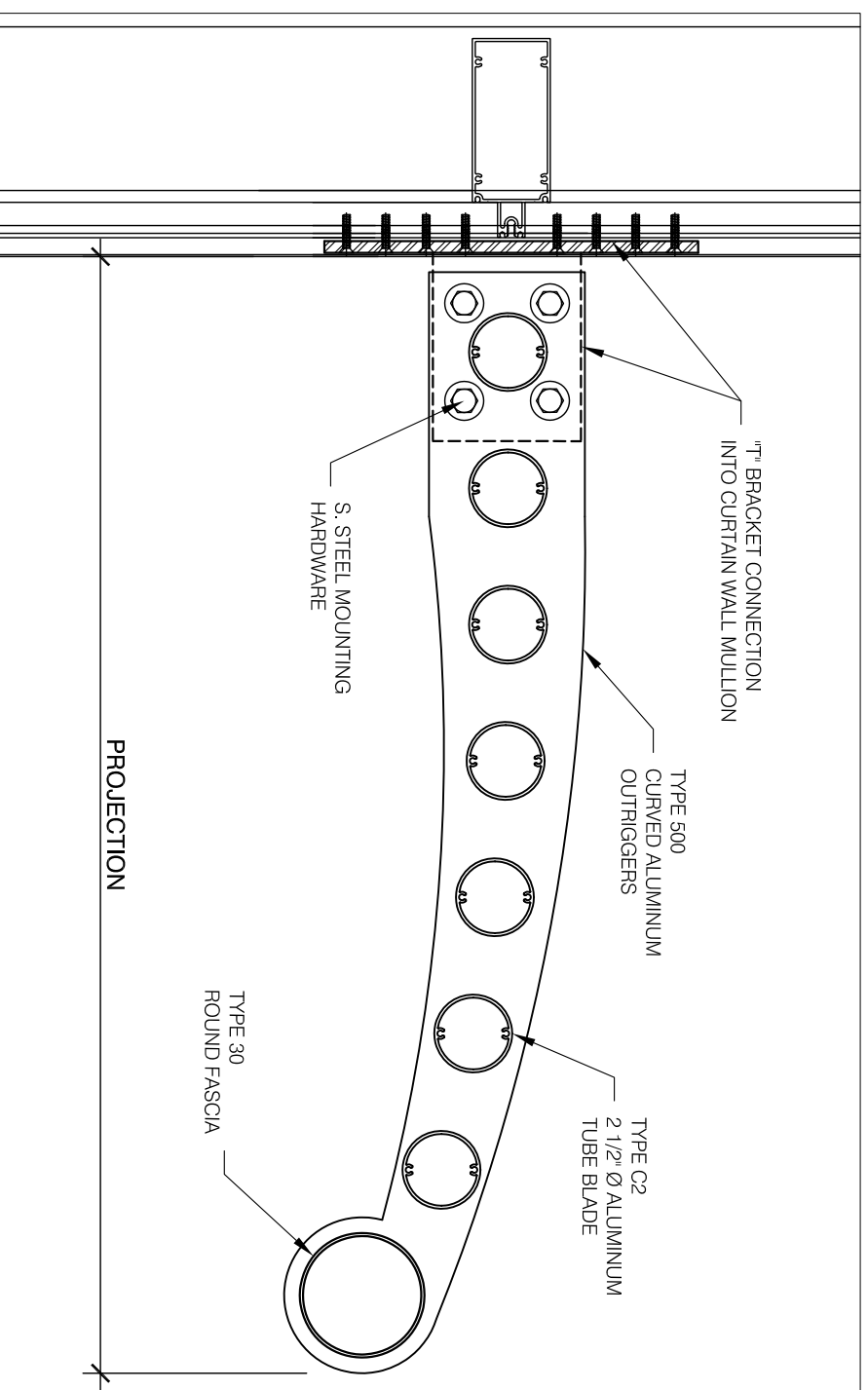


OUTRIGGER TYPES

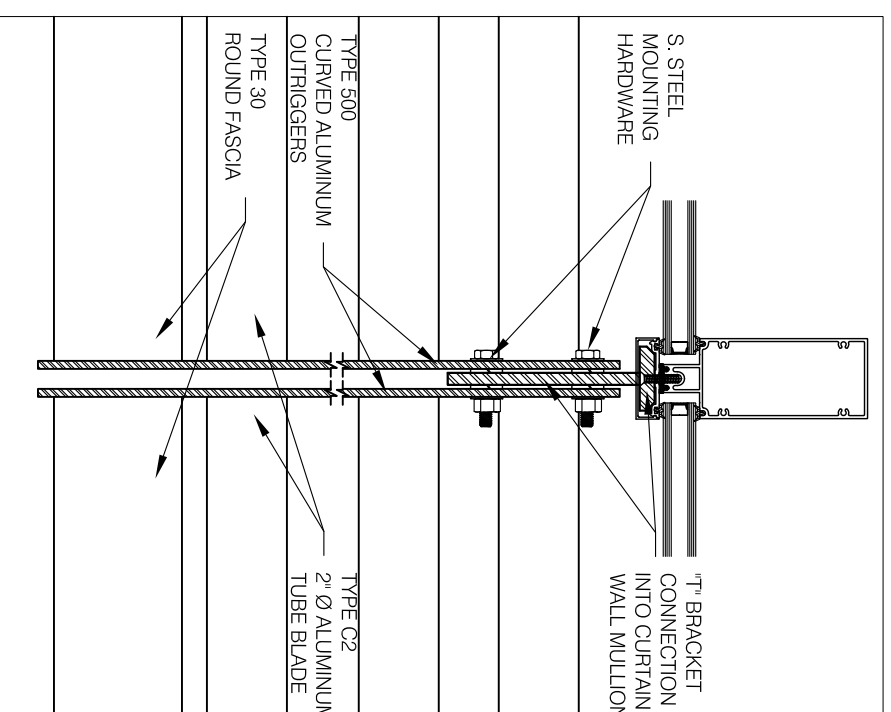
TYPE 10 NO FASCIA
TYPE 20 CUSTOM FORMED FASCIA
TYPE 30 ROUND FASCIA
TYPE 40 RECTANGULAR FASCIA
TYPE 50 BULLNOSE FASCIA
TYPE 60 CHANNEL FASCIA



OUTRIGGER TYPE
BLADE TYPE
FASCIA TYPE
MODEL C2-500-30

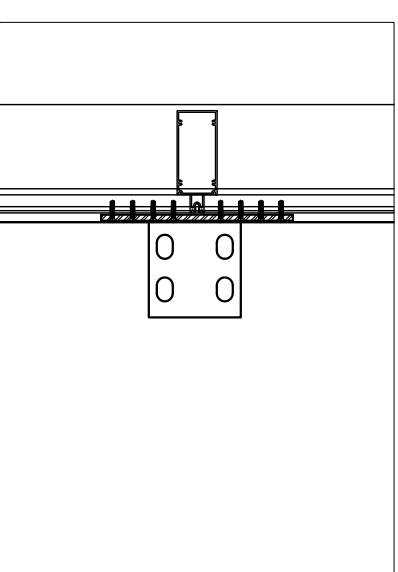


MODEL C2-500-30 CROSS SECTION

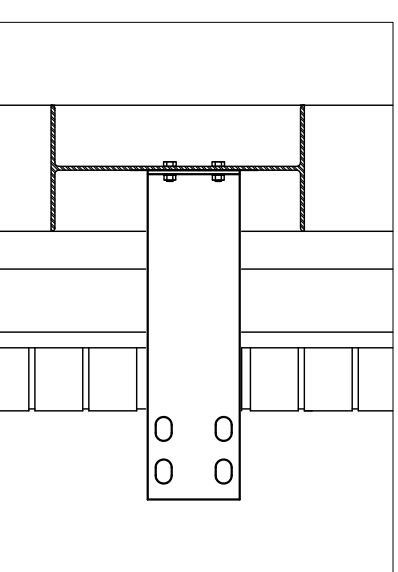


PLAN AT 1" BRACKET CONNECTION

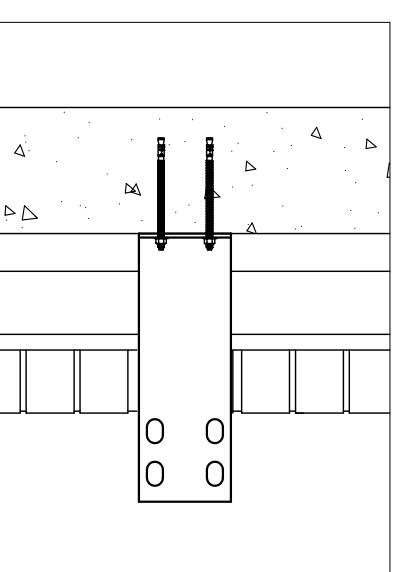
NOTE:
THE CONNECTION DETAILS HEREIN ARE EXAMPLES.
ALL CONNECTIONS ARE DESIGNED AND ENGINEERED
TO PROJECT CONDITIONS



CONNECTION INTO CURTAIN WALL



CONNECTION INTO STEEL



CONNECTION INTO CONCRETE

SUNSHADE MODEL
C2-500-30

EXTRUDED ALUMINUM
2" DIAMETER TUBE BLADES,
FLAT ALUMINUM CURVED
OUTRIGGERS AND 4"
DIAMETER ROUND FASCIA.
SUNSHADE SECTIONS TO BE
ANCHORED INTO STRUCTURE
WITH ALUMINUM "T"
MOUNTING BRACKETS.
ANCHORING HARDWARE
SHALL BE S. STEEL.
ALL COMPONENTS TO BE
PAINTED OR ANODIZED FINISH
TO CONSULTANT'S
SPECIFICATIONS.

general notes	
no.	description
revisions:	date

TENPLUS
ARCHITECTURAL PRODUCTS LTD
26 - 6535 MILLCREEK DRIVE
MISSISSAUGA, ON L5N 2M2
TEL: 905-363-2306
FAX: 905-363-2309
www.tenplus-online.com

project:
spec section:
customer:
architect:
ten plus representative:

drawing:
SUNSHADE MODEL
C2-500-30

scale:
date:
drawn by:
checked by:

project no.
sheet no. **TP1**