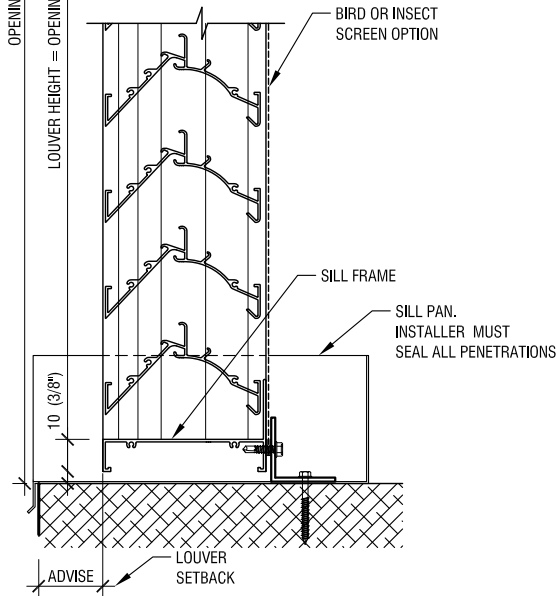
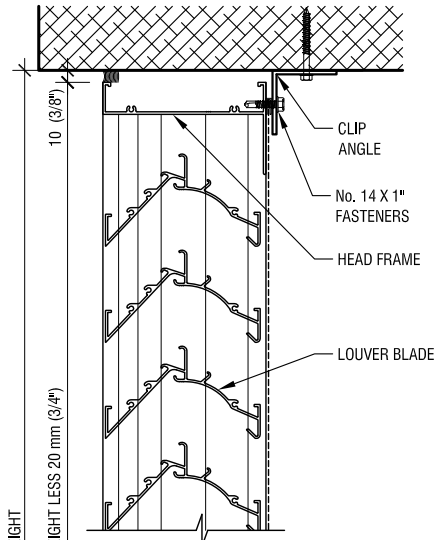
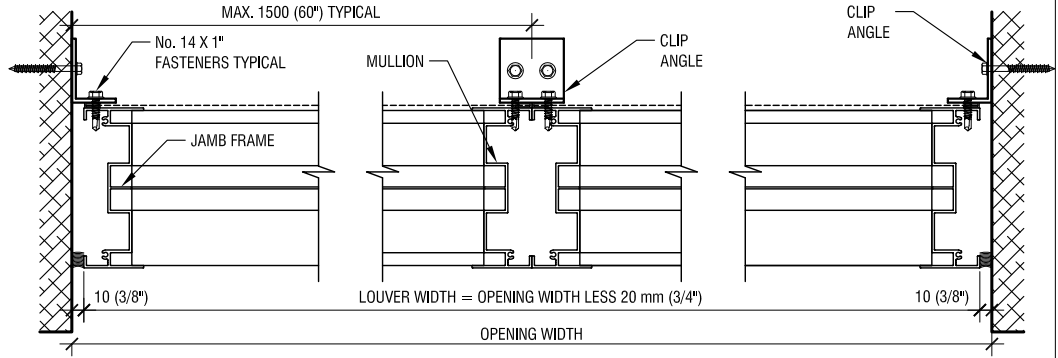


# TEN PLUS STORM RESISTANT DRAINABLE LOUVER MODEL R5455

PAGE:      OF     



VERTICAL SECTION



MULLION CONSTRUCTION HORIZONTAL SECTION

## LOUVER SPEC:

TEN PLUS MODEL R5455 - AMCA LICENSED, EXTRUDED ALUMINUM LOUVER. BLADE TO BE 1.7 mm (0.067"), ALL PROFILES 2 mm (0.080") 6063-T5 ALUMINUM ALLOY. UNLESS OTHERWISE SPECIFIED, ALL STRUCTURAL ELEMENTS TO BE DESIGNED FOR A LIVE LOAD OF 0.95 kPa (20 Lbs. PER SQ FOOT).

## FINISH:

- THREE COAT 70% PVDF RESIN TO AAMA 2605 STD.
- TWO COAT 70% PVDF RESIN TO AAMA 2605 STD.
- ONE COAT THERMOSETTING RESIN TO AAMA 2603 STD.
- COLOR ANODIC
- COLOR: \_\_\_\_\_
- CLEAR ANODIZED     CLASS I     CLASS II
- OTHER: \_\_\_\_\_

## SCREENS:

- 16 mm (5/8") EXPANDED ALUMINUM MESH
- 12 mm (1/2") WELDED & REGALVANIZED STEEL MESH
- 12 mm (1/2") INTER-CRIMPED ALUMINUM WIRE
- 18 X 18 ALUMINUM MESH INSECT SCREEN
- SCREEN TO HAVE PERIMETER FRAME
- OTHER: \_\_\_\_\_

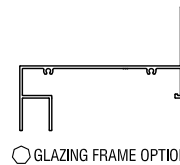
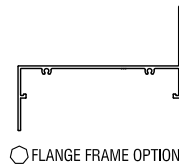
## BLANK OFF PANEL:

- 1 mm (0.040") ALUMINUM SHEET ONLY
- INSULATED / THICKNESS: \_\_\_\_\_
- EXTERIOR SHEET PAINTED TO MATCH LOUVER

## OTHER:

- SILL PANS REQUIRED
- LOUVER SETBACK DIM. \_\_\_\_\_
- \_\_\_\_\_
- \_\_\_\_\_

NOTE: SOME OPTIONS MAY LEAD TO EXTRA COSTS TO THE CONTRACT. ENQUIRE WITH YOUR REP.



REF.	QTY.	DESIGN OPENING WIDTH	DESIGN OPENING HEIGHT	NUMBER OF STRUCTURALS (MULLIONS)	LOUVER LOCATION	FIELD OPENING WIDTH	FIELD OPENING HEIGHT	NOTES



26 - 6535 MILLCREEK DRIVE  
 MISSISSAUGA, ON L5N 2M2  
 TEL: 905-363-2306  
 FAX: 905-363-2309  
 WWW.TENPLUS-ONLINE.COM

PROJECT:	DATE:
CUSTOMER:	DRAWN BY:
CONSULTANT:	REVISION:
REPRESENTATIVE:	PROJECT No.: