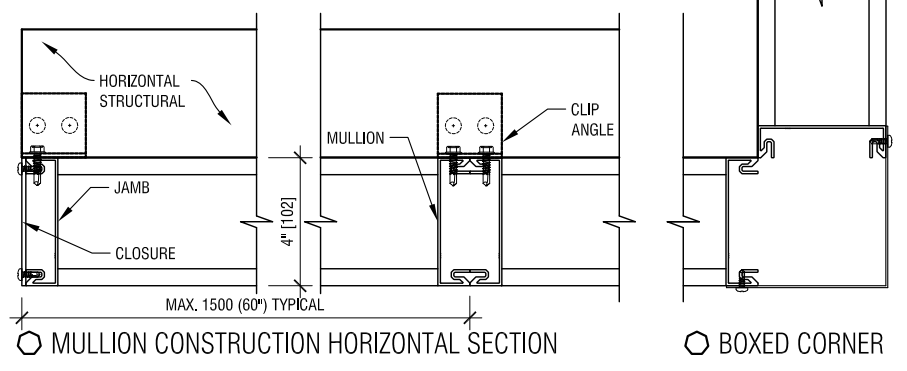
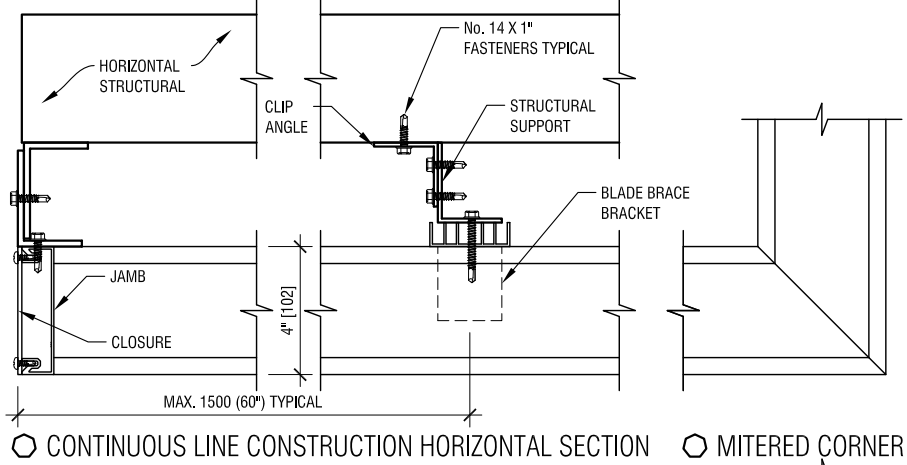
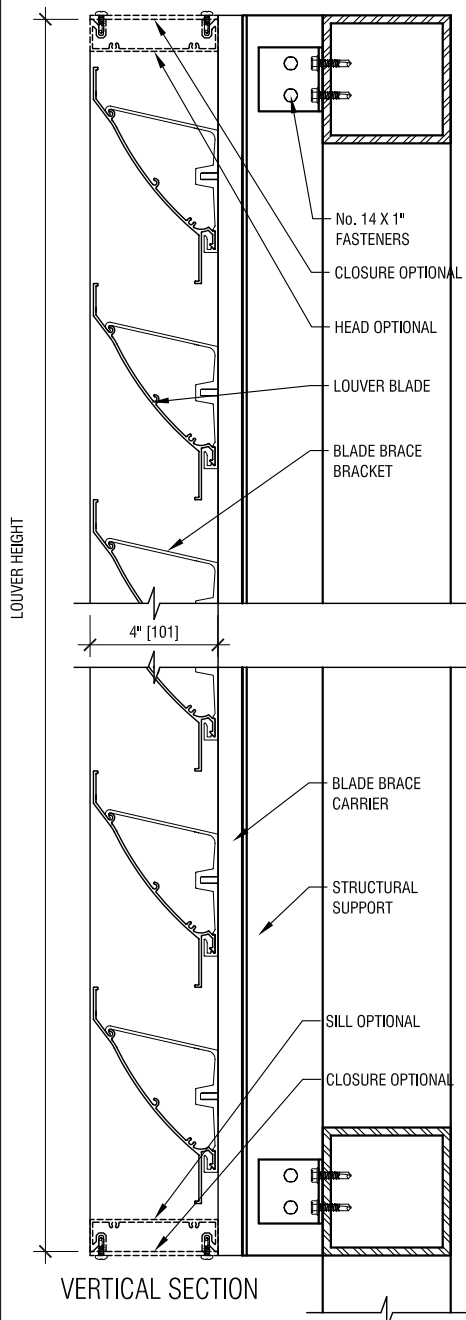


TEN PLUS LOUVERED VISION SCREEN MODEL S4522



LOUVER SPEC:

TEN PLUS MODEL V4522 - EXTRUDED ALUMINUM LOUVER. ALL PROFILES TO BE 2 mm (0.080") 6063-T5 ALUMINUM ALLOY. UNLESS OTHERWISE SPECIFIED, ALL STRUCTURAL ELEMENTS TO BE DESIGNED FOR A LIVE LOAD OF 0.95 kPa (20 Lbs. PER SQ FOOT).

FINISH:

- THREE COAT 70% PVDF RESIN TO AAMA 2605 STD.
- TWO COAT 70% PVDF RESIN TO AAMA 2605 STD.
- ONE COAT THERMOSETTING RESIN TO AAMA 2603 STD.
- COLOR ANODIC
- COLOR: _____
- CLEAR ANODIZED CLASS I CLASS II
- OTHER: _____

OTHER:

- OPTIONAL HEAD
- OPTIONAL CLOSURE AT HEAD
- OPTIONAL SILL
- OPTIONAL CLOSURE AT SILL

NOTE: SOME OPTIONS MAY LEAD TO EXTRA COSTS TO THE CONTRACT. ENQUIRE WITH YOUR REP.

REF.	QTY.	DESIGN OPENING WIDTH	DESIGN OPENING HEIGHT	NUMBER OF STRUCTURALS (MULLIONS)	LOUVER LOCATION	FIELD OPENING WIDTH	FIELD OPENING HEIGHT	NOTES

26 - 6535 MILLCREEK DRIVE
 MISSISSAUGA, ON L5N 2M2
 TEL: 905-363-2306
 FAX: 905-363-2309
 WWW.TENPLUS-ONLINE.COM

PROJECT:	DATE:
CUSTOMER:	DRAWN BY:
CONSULTANT:	REVISION:
REPRESENTATIVE:	PROJECT No.: